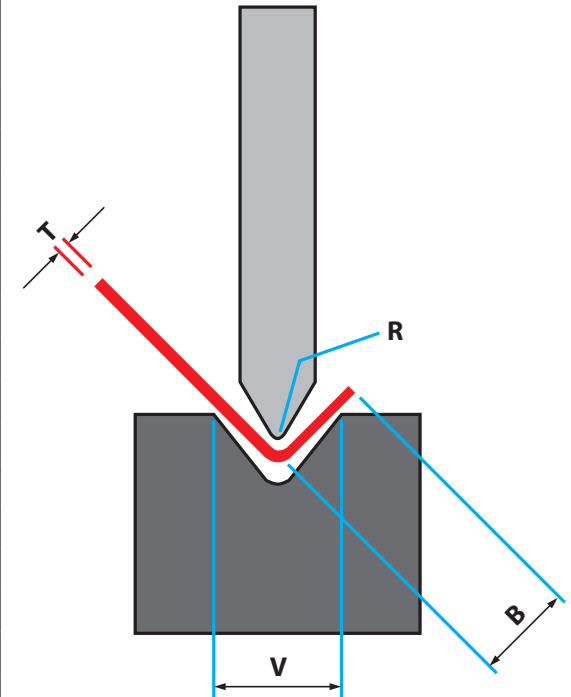


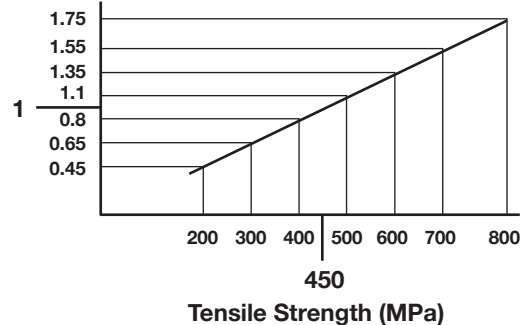
# BENDING FORCE CHART

PLATE THICKNESS (mm)			0.5	0.8	1	1.2	1.5	1.8	2	2.5	3	4	5	6	8	10	12	15	20	32		
V	R	B																				
4	0.7	2.6	4	10.5																		
8	1.5	5.2	2	5.5	8	11.5	18															
10	1.7	6.5		4.1	6.5	9.5	14.5	21	26													
12	2	7.8			5.5	8	12	17.5	21.5	33.5												
16	2.7	10.4				6	9	13	16	25	36											
20	3.4	13					7.5	10.5	13	20	29	52										
25	4.2	16						8.5	10.5	16	23	41										
30	5	20								14	19	34	54									
35	6	23									17	30	46									
40	7	26									15	26	40	58								
45	7.5	29										23	36	52								
50	8.5	32										21	32	46								
55	9	36											30	42								
60	10	39											27	39								
65	10.8	42											25	36								
70	11.7	45												33	59							
75	12.5	49												31	55							
80	13.5	52												29	52	80						
85	14	55													49	76						
90	15	58													46	71						
100	17	65													41	64	93	144				
110	18.5	71														59	84	131				
120	20	78															54	77	120			
140	24	100																66	103			
170	29	120																	55	85	151	
200	35	145																		72	128	200
250	44	180																			108	169

Tonne/Metre



Correction Factor



100% Australian Owned Est. 1930



"Setting the standard for quality & value"

SYDNEY Ph: (02) 9890 9111  
 BRISBANE Ph: (07) 3274 4222  
 MELBOURNE Ph: (03) 9212 4422  
 PERTH Ph: (08) 9373 9999

www.machineryhouse.com.au